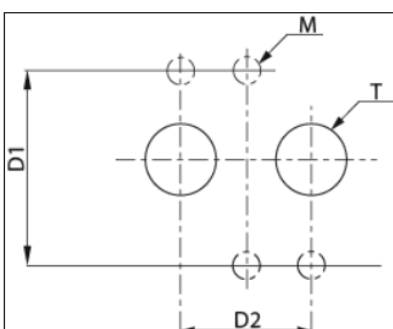


NAMUR SOLENOID VALVE

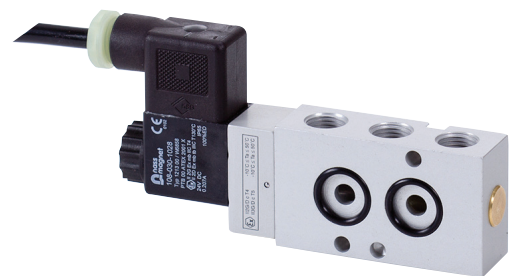
GENERAL DETAILS

- Used for on-off control of pneumatic rotary actuators.
- Panel type namur solenoid valves cannot be mounted to the actuator and used separately.
- Namur solenoid valves in namur standard are mounted on the actuator to control the actuator.
- Atex models are available.

Temperature	: -5 °C...80 °C
Coil Voltage	: 5 VA (Depends on voltage value.)
Working Pressure Range	: 1,5...8 bar
Body	: Anodized Coated Aluminum
Ways	: 3/2, 5/2
Coil	: Single Coil, Double Coil
Type	: Namur Type
Coil Voltage	: 12, 24 DC 24, 110, 220 AC
Protection Class	: IP65
Voltage Tolerance	: ± %10
Fluid	: Air, Inert Gas
Connection Size	: 1/8", 1/4" (BSP)
Atex	: EExmdII.T4
3/2 way for single acting actuators	
5/2 way for double acting actuators	



T	D1	D2	M
1/8", 1/4"	32	24	M5
3/8", 1/2"	45	40	M6



5/2 Way Atex

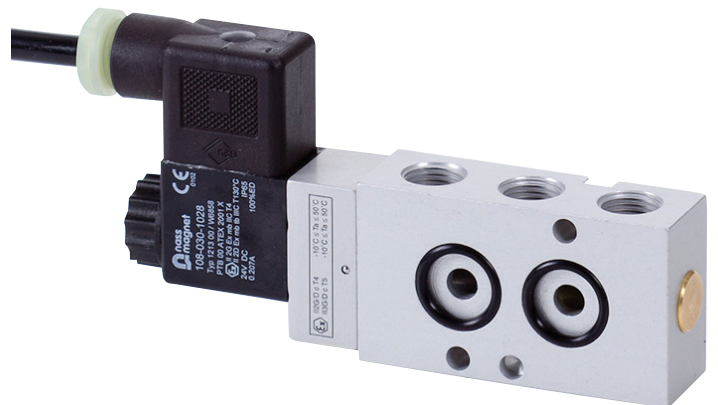
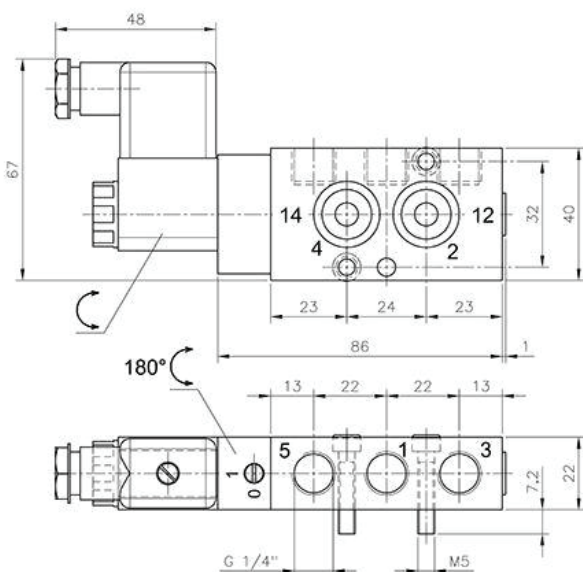
► EX. NM52W1S EX PROOF NAMUR SOLENOID VALVE SINGLE COIL 1/4" -5/2"

APPLICATION

It is used for on-off control of pneumatic rotary actuators. Manufactured in Namur standards. The TORK actuator-solenoid valve connection is also based on the namur standard. Therefore, the namur solenoid valve is coupled directly to the actuator. 6 bar allows the actuator to operate with compressed air connection.



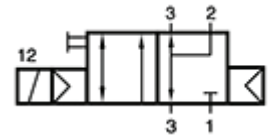
- Coil Voltage : 230/220 V AC, 110V AC, 24V AC, 12V AC, 24V DC
- Exproof Protection Class : EEx m II T4
- Protection Class : IP 65, C20 Series
- Ambient Temperature : -5°C...60°C
- Voltage Tolerance : +/- %10
- Power Consumption : 5VA/3W
- Fluid : Air, Inert Gas
- Size : G (BSP) 1/4" - 5/2
- Working Pressure : 0,5..10 Bar
- Working Temperature : -10°C...+80°C



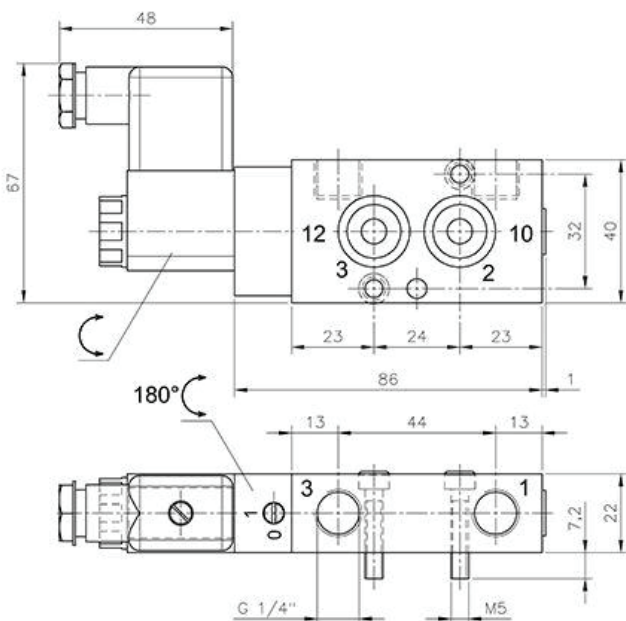
► EX. NM32W1S EX PROOF NAMUR SOLENOID VALVE SINGLE COIL 1/4" -3/2"

APPLICATION

It is used for on-off control of pneumatic rotary actuators. Manufactured in Namur standards. The TORK actuator-solenoid valve connection is also based on the namur standard. Therefore, the namur solenoid valve is coupled directly to the actuator. 6 bar allows the actuator to operate with compressed air connection.



- Coil Voltage : 230/220 V AC, 110V AC, 24V AC, 12V AC, 24V DC
- Exproof Protection Class : EEx m II T4
- Protection Class : IP 65, C20 Series
- Ambient Temperature : -5°C...60°C
- Voltage Tolerance : +/- %10
- Power Consumption : 5VA/3W
- Fluid : Air, Inert Gas
- Size : G (BSP) 1/4" - 3/2
- Working Pressure : 0,5 .. 10 Bar
- Working Temperature : -10°C ... +80°C



▶ NAMUR SOLENOID VALVE MODELS

Model	Coil	Size	Ways	Type	Feature
TORK-NM52W1S.220AC	Single	1/4"	5/2	Namur	Standard
TORK-NM52W1S.110AC	Single	1/4"	5/2	Namur	Standard
TORK-NM52W1S.24AC	Single	1/4"	5/2	Namur	Standard
TORK-NM52W1S.24DC	Single	1/4"	5/2	Namur	Standard
TORK-NM32W1S.220AC	Single	1/4"	3/2	Namur	Standard
TORK-NM32W1S.110AC	Single	1/4"	3/2	Namur	Standard
TORK-NM32W1S.24AC	Single	1/4"	3/2	Namur	Standard
TORK-NM32W1S.24DC	Single	1/4"	3/2	Namur	Standard
TORK-NM52W2S.220AC	Double	1/4"	5/2	Namur	Standard
TORK-NM52W2S.110AC	Double	1/4"	5/2	Namur	Standard
TORK-NM52W2S.24AC	Double	1/4"	5/2	Namur	Standard
TORK-NM52W2S.24DC	Double	1/4"	5/2	Namur	Standard
TORK-ExNM52W1S.220AC	Single	1/4"	5/2	Namur	Atex (Exproof)
TORK-ExNM52W1S.110AC	Single	1/4"	5/2	Namur	Atex (Exproof)
TORK-ExNM52W1S.24AC	Single	1/4"	5/2	Namur	Atex (Exproof)
TORK-ExNM52W1S.24DC	Single	1/4"	5/2	Namur	Atex (Exproof)
TORK-ExNM32W1S.220AC	Single	1/4"	3/2	Namur	Atex (Exproof)
TORK-ExNM32W1S.110AC	Single	1/4"	3/2	Namur	Atex (Exproof)
TORK-ExNM32W1S.24AC	Single	1/4"	3/2	Namur	Atex (Exproof)
TORK-ExNM32W1S.24DC	Single	1/4"	3/2	Namur	Atex (Exproof)
TORK-ExNM52W2S.220AC	Double	1/4"	5/2	Namur	Atex (Exproof)
TORK-ExNM52W2S.110AC	Double	1/4"	5/2	Namur	Atex (Exproof)
TORK-ExNM52W2S.24AC	Double	1/4"	5/2	Namur	Atex (Exproof)
TORK-ExNM52W2S.24DC	Double	1/4"	5/2	Namur	Atex (Exproof)
E52W1SM18.220AC	Single	1/8"	5/2	Panel	Standard
E32W1S6M8.110AC	Single	1/8"	3/2	Panel	Standard
E52W1SM14.220AC	Single	1/4"	5/2	Panel	Standard
E32W1S6M4.110AC	Single	1/4"	3/2	Panel	Standard
Ex52W1SM18.220AC	Single	1/8"	5/2	Panel	Atex (Exproof)
Ex32W1S6M8.110AC	Single	1/8"	3/2	Panel	Atex (Exproof)
Ex52W1SM14.220AC	Single	1/4"	5/2	Panel	Atex (Exproof)
Ex32W1S6M4.110AC	Single	1/4"	3/2	Panel	Atex (Exproof)

▶ ATEX CERTIFIED GAS AND D TYPE NAMUR SOLENOID VALVE FOR POWDERENVIRONMENTS

Ex II 2G d IIC T6

Ex II 2D tD A21 IP66



GENERAL DETAILS

Voltage Tolerance : -10...+ 10%

ED : 100%

Temperature : -40 °C...+40°C

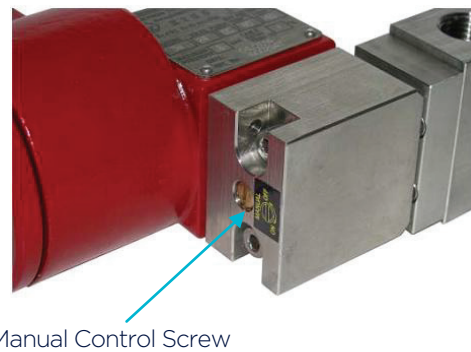
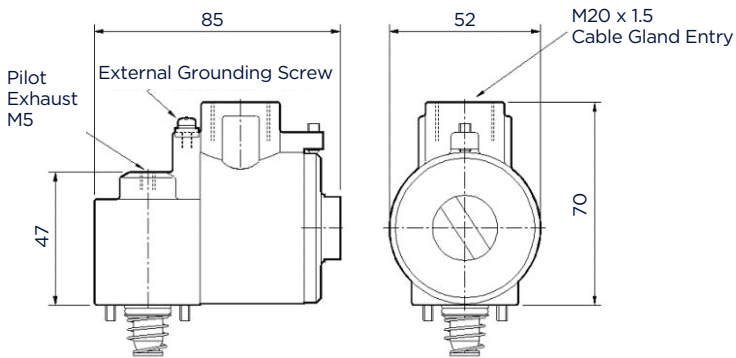
Protection Class : (EN 60529) IP 66

Coil Material : Stainless Steel

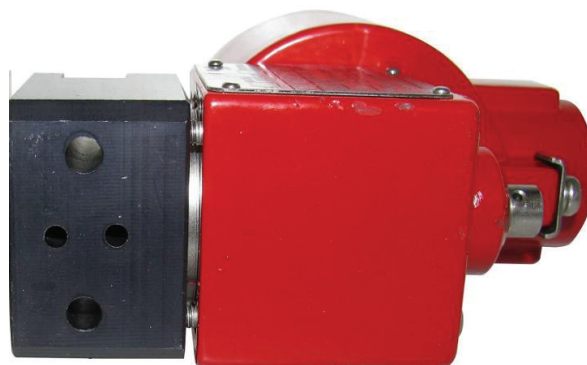
Valve Material : Aluminium, Stainless Steel(Optional)

Cable Gland : M20 x 1.5

Coil Wire : H Class - 180°C max



Valve



Coil

Aluminium Body Valve (-10°C... +40°C),
1/8", 1/4", 1/2"

Aluminium Body Valve (-50°C... +40°C)
1/8", 1/4"

Stainless Steel Body Valve (-10°C... +40°C)
1/4", 1/2"

Stainless Steel Body Valve (-50°C... +40°C)
1/4"

Type	Working Pressure	Operating Voltage	Power Consumption	Temperature Class
TORK-ExdNM32.W1S 24V	Max. 10 bar	24VDC	3 W	T6 (85°C)
TORK-ExdNM32.W1S 230V	Max. 10 bar	230VAC	5 VA	T6 (85°C)